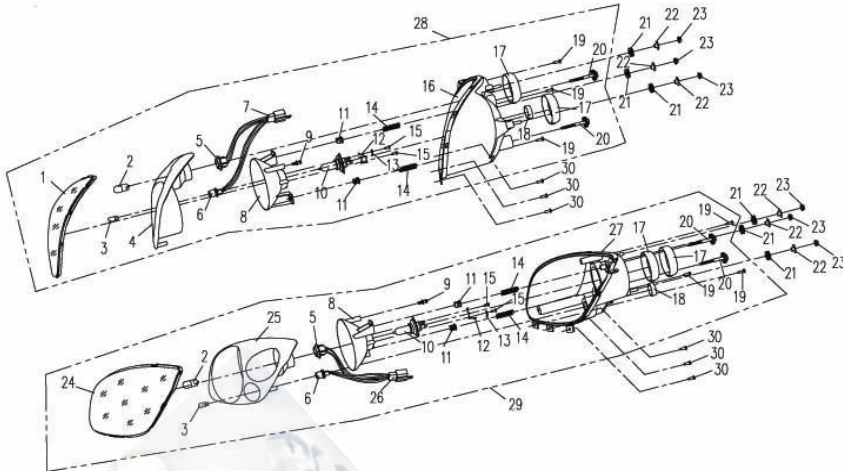
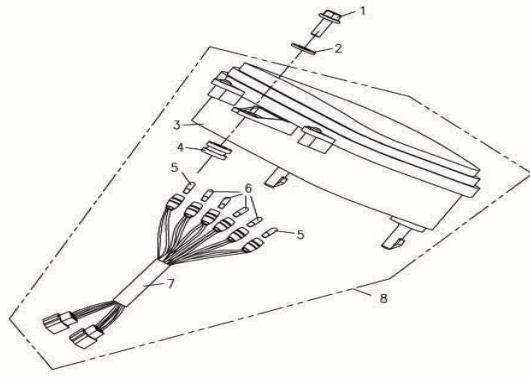


## F1 前照灯 HEAD LIGHT



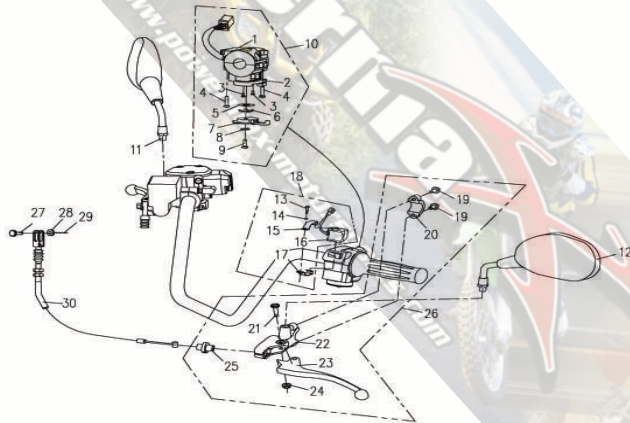
REF NO	PART CODE	DESCRIPTION (EN)	Q'TY	MSRP	REMARKS
1	901-16.02.11	HEADLIGHT COVER (RH)	1		
2	GB15766.1 12V21W	BULB	2		
3	GB15766.1 12V5W	BULB	2		
4	901-16.02.12	REFLECTOR, FRONT TURNING INDICATOR (RH)	1		
5	901-16.02.13	SOCKET, FRONT TURNING INDICATOR	2		
6	901-16.02.14	SOCKET, PARKING INDICATOR	2		
7	901-16.02.15	HARNES, HEADLIGHT (RH)	1		
8	901-16.02.16	REFLECTOR, HEADLIGHT	2		
9	901-16.02.17	BUTTONHEAD SCREW	2		
10	GB15766.1 12V35W	BULB	2		
11	901-16.02.18	NYLON NUT	4		
12	901-16.02.19	CIRCLIP	2		ZINC YELLOW
13	901-16.02.21	WASHER	2		ZINC YELLOW
14	901-16.02.26	SPRING	4		
15	GB845 ST4.2x13	TAPPING SCREW ST4.2X13	4		ZINC YELLOW
16	901-16.02.22	HOUSING, HEADLIGHT (RH)	1		
17	901-16.02.23	DUST COVER (BIG)	4		黑色
18	901-16.02.24	DUST COVER (SMALL)	2		黑色
19	GB845 ST4.2x16	TAPPING SCREW ST4.2X16	6		ZINC YELLOW
20	901-16.02.25	ADJUSTING SCREW	4		ZINC YELLOW
21	901-16.01.01	RUBBER CUSHION, HEADLIGHT	6		
22	901-16.01.02	STEEL COLLAR, HEADLIGHT	6		
23	GB6177 M6	NUT M6	6		ARMY GREEN
24	901-16.01.11	HEADLIGHT COVER (LH)	1		
25	901-16.01.12	REFLECTOR, FRONT TURNING INDICATOR (LH)	1		
26	901-16.01.15	HARNES, HEADLIGHT (LH)	1		
27	901-16.01.22	HEADLIGHT HOUSING (LH)	1		
28	901-16.02.10	HEADLIGHT (RH)	1		
29	901-16.01.10	HEADLIGHT (LH)	1		
30	GB845 ST4.8x13-HF	TAPPING SCREW ST4.2X16	6		ARMY GREEN

## F2仪表 DASHBOARD



REF NO	PART CODE	DESCRIPTION (EN)	Q'TY	UNIT PRICE	REMARKS
1	GB5789 M6x16	BOLT, M6x16	1		ARMY GREEN
2	GB5278 6	WASHER	1		ZINC YELLOW
3	901-17.01.11	HOUSING, DASHBOARD	1		
4	901-17.01.12	RUBBER	1		
5	GB15766.1 12V 3.4W	BULB	2		
6	GB15766.1 12V 1.7W	BULB	4		
7	901-17.01.13	HARNESS, DASHBOARD	1		
8	901-17.01.10	DASHBOARD	1		

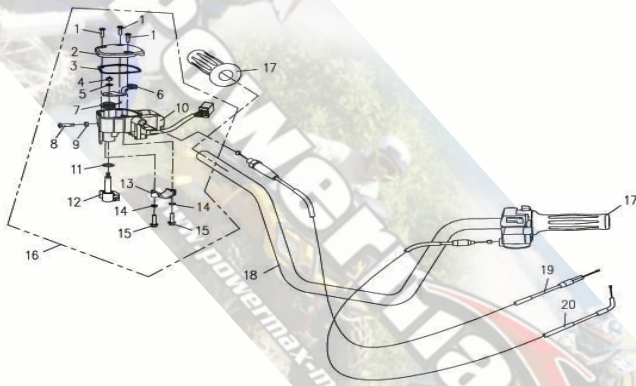
### F3方向把 I HANDLEBAR I



REF NO	PART CODE	DESCRIPTION (EN)	Q'TY	MSRP	REMARKS
1	910-16.06.10	HANDLEBAR SWITCH (LH)	1		
2	910-16.06.01	SEAT, CHOKE	1		
3	GB818 M3x6	SCREW M3x6	2		ARMY GREEN
4	GB818 M5x20	SCREW M5x20	2		ARMY GREEN
5	910-16.06.02	WASHER	1		ZINC YELLOW
6	910-16.06.03	REED	1		ZINC YELLOW
7	910-16.06.04	LEVER, CHOKE	1		
8	GB97.1 6	WASHER	1		ARMY GREEN
9	GB818 M5x15	SCREW M5x15	2		ARMY GREEN
10	910-16.06.00	HANDLEBAR SWITCH (LH)	1		
11	519-20.30.00	REAR VIEW MIRROR(RH)	1		
12	519-20.20.00	REAR VIEW MIRROR(LH)	1		
13	GB818 M3x12	SCREW M3x12	1		ARMY GREEN
14	GB93 3	SPRING WASHER	1		ARMY GREEN

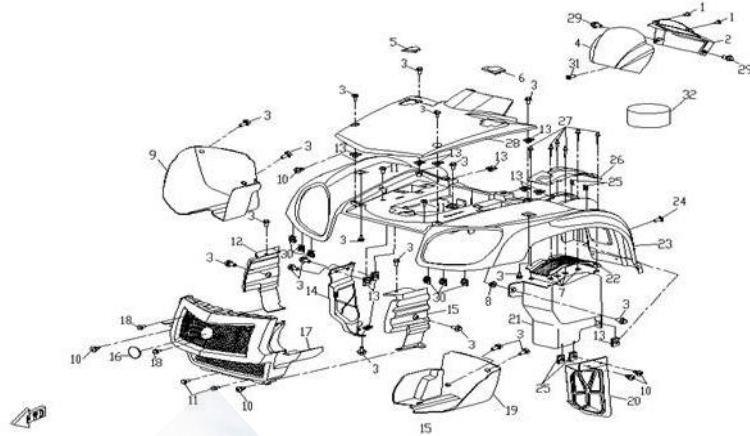
15	901-15.04.01	TOP BRACKET, STARTING SWITCH	1			
16	901-15.04.02	HOUSING, STARTING SWITCH	1			
17	901-15.04.03	BOTTOM BRACKET, STARTING SWITCH	1			
18	901-15.04.00	STARTING SWITCH	1			
19	GB5787 M6x22	BOLT M6x22	2		BLACK PASSIVATED	
20	901-08.02.51	REAR BRACKET, BRAKE LEVER	1			
21	901-08.02.52	MOUNTING BOLT, BRAKE LEVER	1			
22	901-08.02.53	FRONT BRACKET, BRAKE LEVER	1			
23	901-08.02.54	BRAKE LEVER	1			
24	GB6187 M6	NUT M6	1			
25	901-08.02.55	NUT COLLAR	1			
26	901-08.02.50	LEVER, INTERLOCKING BRAKE	1			
27	GB882 6x20	PIN	1		ZINC YELLOW	
28	GB97.1 6	WASHER	1		ZINC YELLOW	
29	GB91 1.6x20	COTTER PIN	1		ZINC WHITE	
30	901-08.02.30	INTERLOCKING BRAKE CABLE	1			

### F4方向把 II HANDLEBAR II



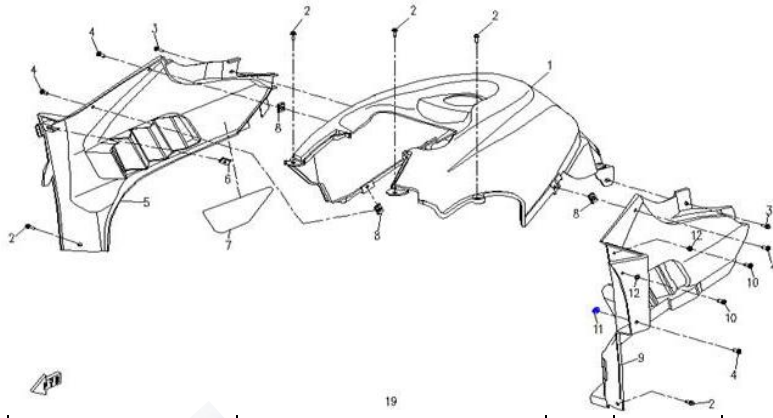
REF NO	PART CODE	DESCRIPTION (EN)	Q'TY	MSRP	REMARKS
1	GB818 M4x16	SCREW , M4x16	3		BLACK PASSIVATED
2	901-16.07.01	TOP BRACKET, HANDLEBAR SWITCH(RH)	1		
3	901-16.07.02	SEAL RING	1		BLACK
4	GB6187 M5	NUT M5	1		ZINC YELLOW
5	GB97.1 5	WASHER	1		ZINC YELLOW
6	901-16.07.03	CABLE ROCKER	1		
7	901-16.07.04	TORSION SPRING	1		
8	GB818 M5x20	SCREW , M5x20	1		BLACK PASSIVATED
9	GB6176 M5	NUT M5	1		BLACK PASSIVATED
10	901-16.07.05	HANDLEBAR SWITCH HOUSING (RH)	1		
11	901-16.07.06	WASHER	1		
12	901-16.07.07	THROTTLE LEVER	1		
13	901-16.07.08	BOTTOM BRACKET, HANDLEBAR SWITCH(RH)	1		
14	GB93 3	SPRING WASHER	2		
15	GB5787 M5x20	BOLT M5x20	2		BLACK PASSIVATED
16	901-16.07.00	HANDLEBAR SWITCH (RH)	1		
17	519-10.00.01	LEFT GRIP	2		
18	901-03.00.90	HANDLEBAR	1		
19	901-10.05.10	THROTTLE CABLE	1		
20	901-10.05.20	CHOKE CABLE	1		

## F5塑料件 I PLASTIC I



REF NO	PART CODE	DESCRIPTION (EN)	Q'TY	MSRP	REMARKS
1	GB845 ST4.2x13(dk=9.2)	TAPPING SCREW	2		ARMY GREEN
2	901-04.00.06	REAR COVER, DASHBOARD	1		
3	GB5789 M6x12	BOLT M6x12	11		ARMY GREEN
4	901-04.00.05	FRONT COVER, DASHBOARD	1		COLOR-INJECTED PARTS
4	901-04.00.05B	FRONT COVER, DASHBOARD	1		
5	901-04.00.50B	ORNAMENT, RIGHT BOLT	1		
6	901-04.00.43B	ORNAMENT, LEFT BOLT	1		
7	GB848-85 4	WASHER	4		
8	GB6177 M6	HEX FLANGE NUT	1		ARMY GREEN
9	901-04.00.38	HEADLIGHT GUARD (RH)	1		ARMY GREEN
10	GB845 ST4.8x16	TAPPING SCREW	1		
11	CF250T-340002	BOLT M6x14	4		ZINC YELLOW
12	901-04.00.47B	RIGHT GRILL	1		
13	803-04.08.00	NUT CLAMP M6	11		
14	901-04.00.25B	FRONT INNER FENDER (RH)	1		
15	901-04.00.46B	LEFT GRILL	1		COLOR-INJECTED PARTS
16	901-19.00.09	LABLE, LOGO	1		
17	901-04.00.02B	FRONT VENT GRILLE	1		
18	GB5789 M6x16	BOLT M6x16	2		
19	901-04.00.37	HEADLIGHT GUARD (LH)	1		ARMY GREEN
20	901-04.00.26	FRONT INNER FENDER (LH)	1		ARMY GREEN
21	901-04.00.51B	FRONT UPPER FENDER (RH)	1		ARMY GREEN
22	901-04.00.52B		1		ARMY GREEN
23	901-04.00.03B	FRONT FENDER	1		
23	901-04.00.03B	FRONT FENDER	1		
24	GB818-85 M6x12	BOLT M6x12	2		
25	CF250T-340007	CLAMP ST4.2	4		
26	901-04.00.53B	SHIFT STEEL PLATE	1		
27	GB12618 4x8	RIVET	6		
28	901-04.00.04B	FRONT TOP COVER	1		
29	GB9074.1 M6x12	BOLT M6x12	1		
30	901-06.01.03	NUT CLAMP M5	6		
31	GB9074.1 M6x16	BOLT M6x16	1		

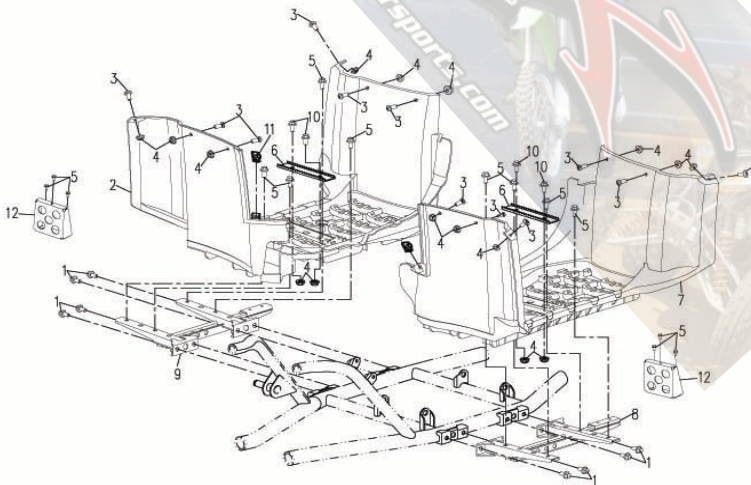
## F6塑料件 II PLASTIC II



19

REF NO	PART CODE	DESCRIPTION (EN)	QTY	MSRP	REMARKS
1	901-04.00.07B	TOP COVER, FUEL TANK	1		CF500
1	901-04.00.07B	TOP COVER, FUEL TANK	1		
2	GB5789 M6x12	BOLT M6x12	5		ARMY GREEN
3	GB5789 M6x16	BOLT M6x16	3		COLOR-INJECTED PARTS
4	GB9074.1 M6x20	BOLT M6x20	1		CF500
5	901-04.00.12B	SIDE PANEL (RH)	1		
6	CF250T-340007	CLAMP ST4.2	1		
7	901-04.00.34B	HEAT INSULATION PAPER, RIGHT SIDE PANEL	1		
8	803-04.08.00	NUT CLAMP M6	1		ARMY GREEN
9	901-04.00.11B	SIDE PANEL (LH)	1		
10	GB845 ST4.8x16	TAPPING SCREW	2		
11	GB6177 M6	HEX FLANGE NUT	1		
12	GB848-85 4	WASHER	2		

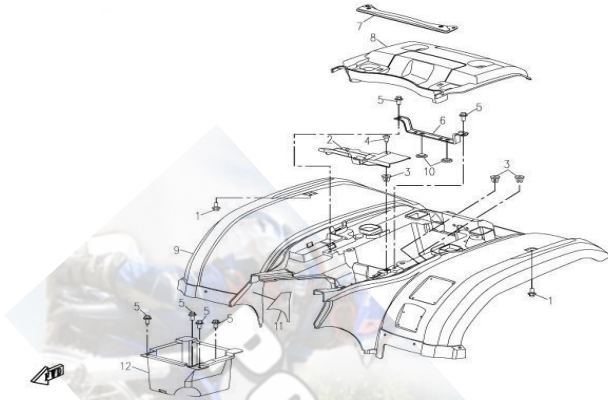
**F7塑料件III PLASTIC III**



REF NO	PART CODE	DESCRIPTION (EN)	QTY	MSRP	REMARKS
1	GB5789 M8x14	BOLT M8x14	8		ARMY GREEN
2	901-04.00.09	FOOTREST BOARD (RH)	1		CF500
3	GB9074.1 M6x16	SCREW M6X16	12		ARMY GREEN
4	GB6177 M6	NUT M6	16		ARMY GREEN
5	GB5789 M6x12	BOLT M6x12	14		ARMY GREEN

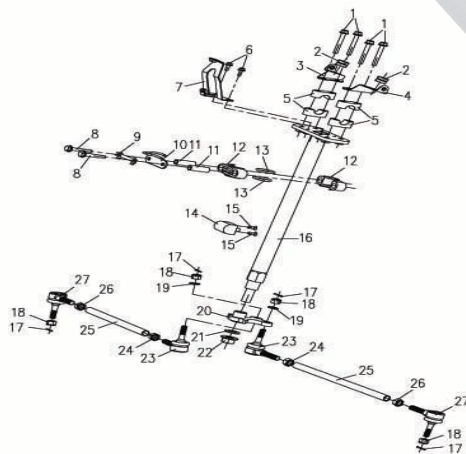
6	901-03.00.07	JAG, FOOTREST BOARD	2		
7	901-04.00.08	FOOTREST BOARD (LH)	1		CF500
8	901-03.00.20	BRACKET, FOOTREST BOARD (LH)	1		CF500
9	901-03.00.80	BRACKET, FOOTREST BOARD (RH)	1		CF500
10	CF250T-340002	BOLT M6x14	4		ARMY GREEN
11	803-04.08.00	NUT CLAMP M6	2		

### F8塑料件IV PLASTIC IV



REF NO	PART CODE	DESCRIPTION (EN)	Q'TY	MSRP	REMARKS
1	GB5789 M6x12	BOLT M6x12	2		ARMY GREEN
2	901-04.00.41	BATTERY COVER	1		
3	901-04.00.32	SCREW BRACKET 1 (WHITE)	1		
4	GB845 ST4.8x16	TAPPING SCREW	1		ARMY GREEN
5	CF250T-340002	BOLT M6x14 (Step $\phi$ 8x4)	2		ARMY GREEN
6	901-03.00.04	FIXING PLATE, BATTERY	1		
7	901-03.00.70	SEAT BRACKET	1		
8	901-04.00.14	REAR TOP COVER	1		
9	901-04.00.13	REAR FENDER	1		COLOR-INJECTED PARTS
9	901-04.00.13	REAR FENDER	1		
10	901-03.00.05	RUBBER MAT, BATTERY FIXING PLATE	2		
11	901-04.00.36	HEAT INSULATION PAPER, REAR FENDER	1		

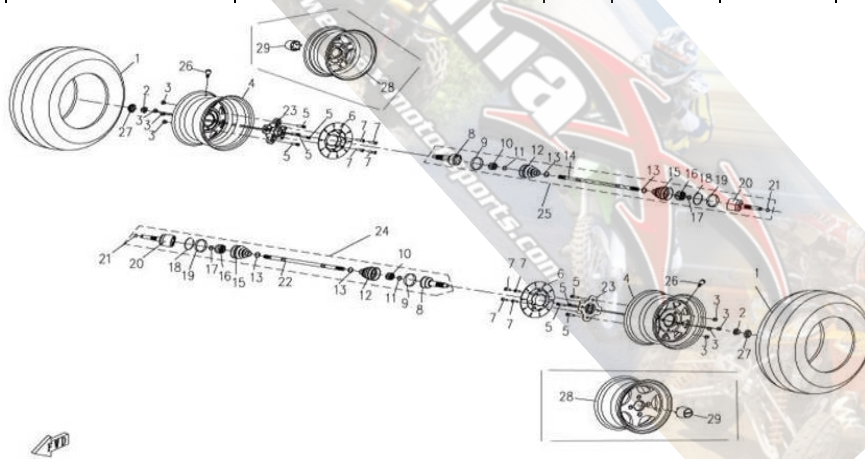
### F9转向系统 STEERING SYSTEM



REF NO	PART CODE	DESCRIPTION (EN)	Q'TY	MSRP	REMARKS
1	GB5789 M8x55	BOLT, M8x55	4		ARMY GREEN
2	50203100001	RUBBER,FRONT LICENSE PLATE BRACKET	2		

3	901-03.00.10	BRACKET (RH), DASHBOARD	1			
4	901-03.00.60	BRACKET (LH), DASHBOARD	1			
5	901-03.00.06	ALUM. COVER, HANDLEBAR	4			
6	GB5789 M6x12	BOLT M6x12	2		ARMY GREEN	
7	901-03.00.30	FRONT BRACKET, DASHBOARD	1			
8	GB5782 M8x50	BOLT M8x50	2		ZINC YELLOW	
9	901-10.04.03	LOCK PAD	1			
10	901-10.04.10	ADAPTER PLATE	1			
11	901-10.04.02	BUSH	2			
12	901-10.04.01	BUSHING, STEERING STEM	2			
13	901-10.04.04	SEAL RING	2			
14	901-01.02.10	STEERING LOCK	1			
15	GB819 M6x12	SCREW M6x12	2		ZINC YELLOW	
16	901-03.71.00	STEERING STEM	1			
17	GB91 2.0x16	COTTER PIN	4		ZINC YELLOW	
18	GB9457 M10x1.25	NUT M10x1.25	4		ZINC YELLOW	
19	GB97.1 10	WASHER	2		ZINC YELLOW	
20	901-10.00.01	PITMAN ARM	1			
21	GB97.1 14	WASHER	1		CHROME	
22	GB6187 M14x1.25	NUT M14x1.25	1		CHROME	
23	901-10.05.37	STEERING KNUCKLE I	2			
24	GB6176 M12x1.5-左	NUT M12x1.5	2			
25	901-10.05.36	TIE-ROD	2		ZINC YELLOW	
26	GB6176 M12x1.5	NUT M12x1.5	2			
27	901-10.05.38	STEERING KNUCKLE II	2			

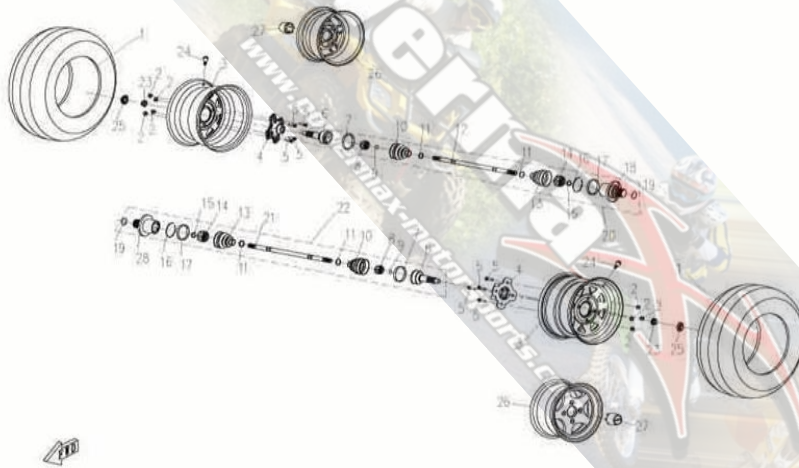
### F10前轮总成 FRONT WHEEL ASSY



REF NO	PART CODE	DESCRIPTION (EN)	Q'TY	MSRP	REMARKS
1	25x8.0-12	FRONT TYRE	2		
2	901-07.00.03	NUT , RIM SHAFT	4		
3	901-07.00.02	MOUNTING NUT, RIM	8		
4	901-07.01.00	FRONT STEEL RIM	2		
5	901-07.02.01	BOLT. FRONT WHEEL SUPPORT	8		
6	901-08.00.01	FRONT BRAKE DISC	2		
7	901-08.00.03	BOLT , FRONT BRAKE DISC	8		厂家自带 (CHROME)
8	901-27.01.01	BELL BOOT, FIXED END	2		
9	901-27.01.03	BIG CLAMP, FIXED END	2		
10	901-27.01.10	BEARING, FIXED END	2		
11	901-27.01.02	WIRE CLAMP I	2		
12	901-27.01.04	DUST BOOT, FIXED END	2		

13	901-27.01.06	SMALL CLAMP, FIXED END	4			
14	901-27.02.01	FRONT SHAFT (RH)	1			
15	901-27.01.07	DUST BOOT, MOTION END	2			
16	901-27.01.20	BEARING, MOTION END	2			
17	GB894.1 19	CIRCLIP	2			
18	901-27.01.08	WIRE CLAMP II	2			
19	901-27.01.09	BIG CLAMP, MOTION END	2			
20	901-27.02.02	BELL BOOT, RH FRONT FIXED END	2			
21	901-27.02.03	WIRE CIRCLIP	2			
22	901-27.01.05	FRONT SHAFT (LH)	1			
23	901-27.00.01	HUB, FRONT WHEEL	2			
24	901-27.01.00	CONSTANT VELOCITY DRIVE SHAFT (LH) , FRONT AXLE	1			
25	901-27.02.00	CONSTANT VELOCITY DRIVE SHAFT (RH) , FRONT AXLE	1			
26	519-07.00.30	INFLATION VALVE	2			
27	901-04.00.29	STEEL RIM CAP	2			
28	901-07.01.00A	FRONT ALUM. RIM ( POLISHED )	2			
28	901-07.01.00A	FRONT ALUM. RIM ( CHROMPLATED )	2			
29	901-04.00.39	ALUM. RIM CAP	2			
30	901-27.01.11	BELL BOOT, LH FRONT MOTION END	1			
31	901-27.01.12	WIRE CLAMP	1			

**F11后轮总成 REAR WHEEL ASSY**

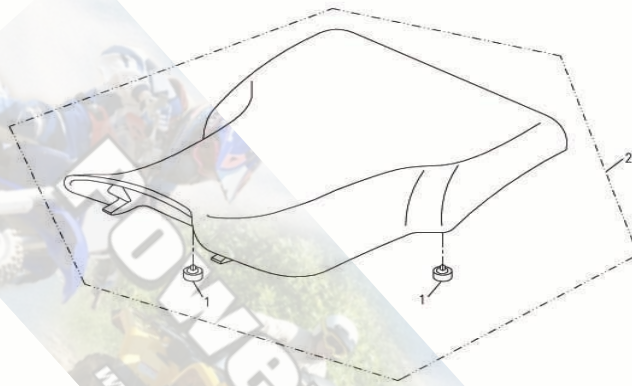


REF NO	PART CODE	DESCRIPTION (EN)	Q'TY	MSRP	REMARKS	
1	25x10.0-12	REAR TYRE	2			
2	901-07.00.02	MOUNTING NUT, RIM	8			
3	901-11.01.00	REAR STEEL RIM	2			
4	901-11.00.01	MOUNTING SUPPORT, REAR WHEEL	2			
5	901-07.02.01	BOLT, REAR WHEEL SUPPORT	8			
6	901-27.01.01	BELL BOOT, FIXED END	2			
7	901-27.01.03	BIG CLAMP, FIXED END	2			
8	901-27.01.10	BEARING, FIXED END	2			
9	901-27.01.02	WIRE CLAMP I	2			
10	901-27.01.04	DUST BOOT, FIXED END	2			
11	901-27.01.06	SMALL CLAMP, FIXED END	4			
12	901-28.02.01	REAR SHAFT (RH)	1			
13	901-27.01.07	DUST BOOT, MOTION END	2			
14	901-27.01.20	BEARING, MOTION END	2			
15	GB894.1 19	CIRCLIP	2			



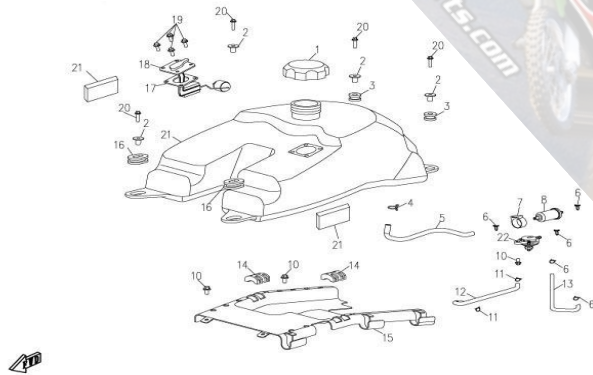
16	901-27.01.08	WIRE CLAMP II	2			
17	901-27.01.09	BIG CLAMP, MOTION END	2			
18	901-28.02.10	BELL BOOT, RH REAR MOTION END	1			
19	901-28.01.02	WIRE CIRCLIP	2			
20	901-28.02.00	CONSTANT VELOCITY DRIVE SHAFT (RH) , REAR AXLE	1			
21	901-28.01.01	REAR SHAFT (LH)	1			
22	901-28.01.00	CONSTANT VELOCITY DRIVE SHAFT (LH) , REAR AXLE	1			
23	901-07.00.03	NUT, RIM SHAFT	2			
24	519-07.00.30	INFLATION VALVE	2			
25	901-04.00.29	STEEL RIM CAP	2			
26	901-11.01.00A	REAR ALUM. RIM ( POLISHED )	2			
26	901-11.01.00A	REAR ALUM. RIM ( CHROMPLATED )	2			
27	901-04.00.39	ALUM. RIM CAP	2			
28	901-28.01.10	BELL BOOT, LH REAR MOTION END	1			

### F12座墊 SEAT



REF NO	PART CODE	DESCRIPTION (EN)	Q'TY	MSRP	REMARKS
1	803-13.02.11	RUBBER CUSHION	2		
2	901-13.01.00B	SEAT	1		CF500

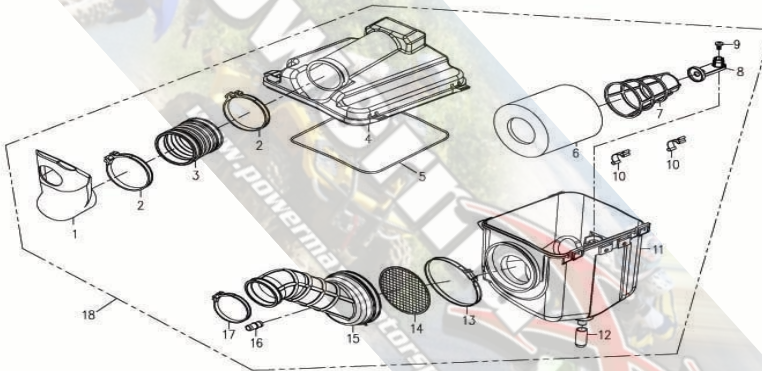
### F13 油箱 FUEL TANK



REF NO	PART NO	DESCRIPTION	Dealer Price	QTY	MSRP	备注
1	901-12.02.00	FUEL TANK CAP		1		
2	901-12.03.10	RUBBER BUSH, FUEL TANK		4		
3	901-12.00.07	REAR RUBBER BUFFER, FUEL TANK		2		
4	QC/T621 A14	CLAMP Φ 14A		1		ZINC WHITE

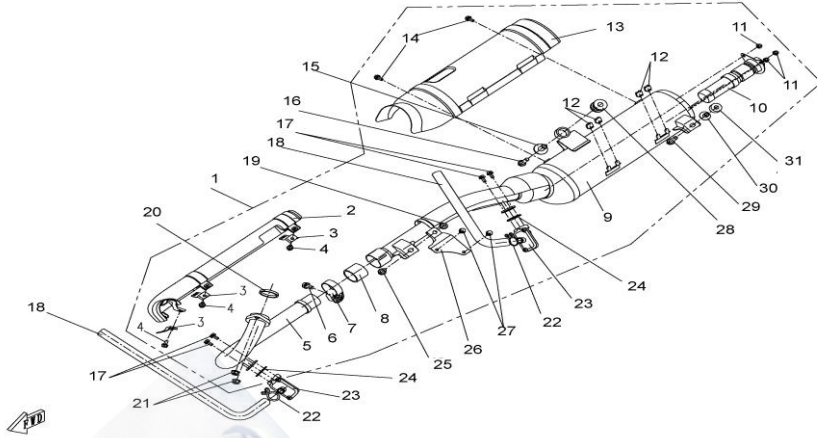
5	901-12.05.11	FUEL HOSE I	1		
6	QC/T621 A10.5	CIRCLIP $\Phi$ 10.5 A	5		ZINC WHITE
7	CF250T-450002	RUBBER FIXTURE, FUEL FILTER	1		
8	CF250T-450200	FUEL FILTER	1		
9	901-12.05.12	FUEL HOSE II	1		
10	GB5789 M6x16	BOLT M6x16	2		ARMY GREEN
11	QC/T621 A8	CIRCLIP $\Phi$ 8 A	2		ZINC WHITE
12	901-12.05.14	VACUUM TUBE	1		
13	901-12.05.13	FUEL HOSE III	1		
14	901-12.00.05	RUBBER CUSHION, FUEL TANK	2		
15	901-04.00.42	BOTTOM PLATE, FUEL TANK	1		
16	901-12.00.06	FRONT RUBBER BUFFER, FUEL TANK	2		
17	901-17.01.21	SEAL RING	1		
18	901-17.01.22	FUEL SENSOR	1		
19	GB5789 M6x12	BOLT M6x12	4		ARMY GREEN
20	GB5789 M6x30	BOLT M6x30	4		ARMY GREEN
21	901-12.01.00	FUEL TANK	1		
22	519-12.05.10	FUEL SWITCH	1		
21	901-12.00.08	SPONGE PAD, FUEL TANK	2		

### F14 空气滤清器 AIR FILTER



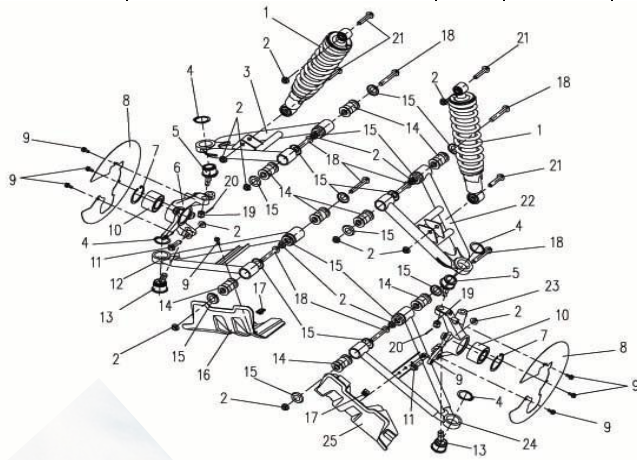
REF NO	PART CODE	DESCRIPTION (EN)	Q'TY	MSRP	REMARKS
1	CF188-111001	SNORKEL, AIR FILTER	1		
2	CF188-111002	CLAMP	2		
3	CF188-111003	INTAKE TUBE, AIR FILTER	1		
4	CF188-111004	TOP COVER, AIR FILTER	1		
5	CF188-110001	SEAL RING	1		
6	CF188-112001	FILTER ELEMENT	1		
7	CF188-112002	SUPPORT, FILTER ELEMENT	1		
8	CF188-112003	FILTER ELEMENT SEAT	1		
9	CF188-110002	SCREW	1		
10	CF188-110003	CLASP	2		
11	CF188-110004	BOX, AIR FILTER	1		
12	CF188-110005	DRAIN PLUG	1		
13	CF188-110006	CIRCLIP	1		
14	CF188-110007	BACKFIRE ARRESTER	1		
15	CF188-110008	AIR OUTLET TUBE	1		
16	CF188-110009	EXHAUST TUBE	1		
17	CF188-110010	CIRCLIP	1		
18	CF188-110000	AIR FILTER	1		

## F15 消声器总成 MUFFLER

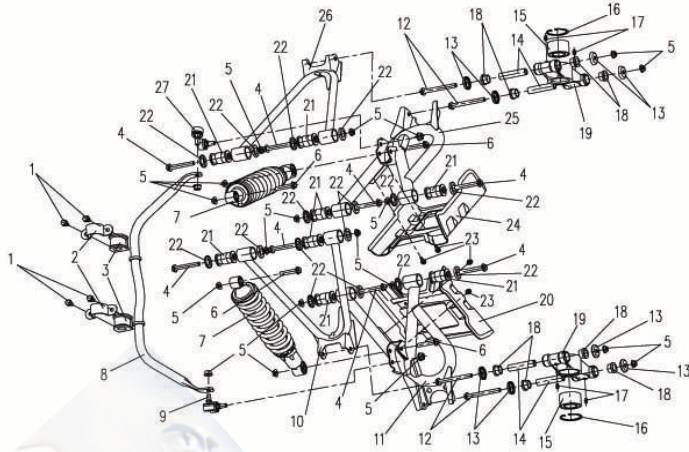


REF NO	PART CODE	DESCRIPTION (EN)	Q'TY	MSRP	REMARKS
1	901-02.01.00	MUFFLER COMP.	1	319.99	CF500
2	901-02.01.20	EXHAUST PIPE PROTECTOR	1		
3	901-02.01.01	CLAMP	3		
4	GB5789 M6x20	BOLT M6x20	3		ARMY GREEN
5	901-02.01.10	EXHAUST PIPE	1		
6	GB5789 M8x25	BOLT M8x25	1		ARMY GREEN
7	901-02.01.60	JOINT CLAMP	1		
8	901-02.01.02	COLLAR	1		
9	901-02.01.30	MUFFLER	1		CF500
10	901-02.01.50	TAIL PIPE	1		
11	GB923 M6	NUT	3		ARMY GREEN
12	605-02.01.06	DAMPING COLLAR, MUFFLER	4		
13	901-02.01.40	HEAT INSULATION COVER, MUFFLER	1		
14	GB5789 M6x12	BOLT M6x12	2		ARMY GREEN
15	901-02.03.00	SPACER, MUFFLER	1		
16	GB5789 M8x40	BOLT M8x40	1		ARMY GREEN
17	GB5789 M6x10	BOLT M6x10	4		ARMY GREEN
18	901-02.00.04	AIR INLET HOSE,CHECK VALVE	2		
19	GB6187 M8	NUT	1		ARMY GREEN
20	CF188-022300	GASKET, EXHAUST PIPE	1		
21	CF250T-440001	JOINT NUT, EXHAUST PIPE	2		
22	QC/T621 A16x1.5	CLIP	2		
23	803-02.01.20	AIR SUPPLY CHECK VALVE	2		
24	803-02.01.01	GASKET, CHECK VALVE	2		
25	GB5789 M8x14	BOLT M8x20	1		ARMY GREEN
26	901-02.00.03	FRONT SUPPORT, MUFFLER	1		
27	GB5789 M6x12	BOLT M6x12	2		ARMY GREEN
28	901-02.00.01	RUBBER CUSHION, MUFFLER	1		
29	GB5789 M8x25	BOLT M8x25	1		ARMY GREEN
30	901-02.00.02	RUBBER CUSHION II, MUFFLER	2		
31	901-02.04.00	SPACER II, MUFFLER	1		

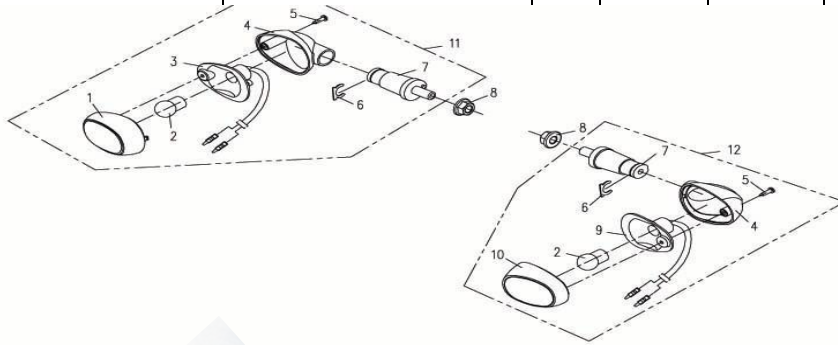
## F16 前悬挂总成 FRONT SUSPENSION



REF NO	PART CODE	DESCRIPTION (EN)	Q'TY	MSRP	REMARKS
1	901-05.06.00	FRONT SHOCK ABSORBER	2		
2	GB6187 M10x1.25	NUT M10x1.25	14		ARMY GREEN
3	901-05.01.00	FRONT RIGHT ARM (UPPER)	1		
4	GB894.1 34	CIRCLIP	4		
5	901-05.07.00	TOP BALL PIN	2		
6	901-05.00.01	STEERING KNUCKLE (RH)	1		
7	GB893.1 55	CIRCLIP	2		
8	901-03.00.08	BRAKE DISC GUARD	2		
9	GB5789-M6x12	BOLT M6x12	8		ARMY GREEN
10	DAC3055W	BEARING, HUB	2		
11	GB5789 M10x1.25x40	BOLT M10x1.25x40	2		ARMY GREEN
12	901-05.02.00	FRONT RIGHT ARM (LOWER)	1		
13	901-05.08.00	BOTTOM BALL PIN	2		
14	901-05.05.00	BUFFERING COLLAR	8		
15	901-05.00.03	CAP, BUFFERING COLLAR	16		
16	901-04.00.22	FRONT PROTECTOR (RIGHT)	1		
17	803-04.08.00	NUT CLAMP, M6	2		
18	GB5789 M10x1.25x70	BOLT, M10x1.25x70	8		ARMY GREEN
19	GB9457 M10x1.25	SLOT NUT	2		ZINC YELLOW
20	GB91 2x16	COTTER PIN	2		ZINC WHITE
21	GB5789 M10x1.25x50	BOLT, M10x1.25x50	4		ARMY GREEN
22	901-05.03.00	FRONT LEFT ARM (UPPER)	1		
23	901-05.00.02	STEERING KNUCKLE (LH)	1		
24	901-05.04.00	FRONT LEFT ARM (LOWER)	1		
25	901-04.00.21	FRONT PROTECTOR (LEFT)	1		
<b>F17 后悬挂总成 REAR SUSPENSION</b>					

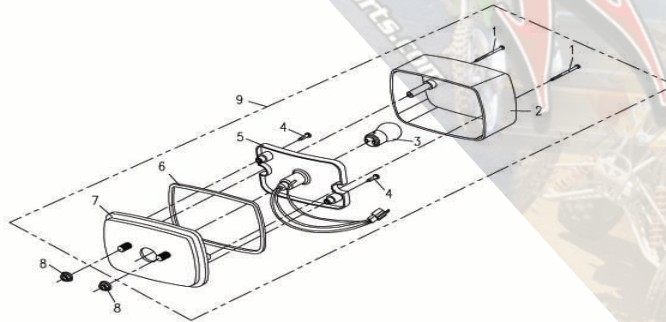


REF NO	PART CODE	DESCRIPTION (EN)	Q'TY	MSRP	REMARKS
1	GB5789 M8x14	BOLT, M8x14	4		ARMY GREEN
2	901-06.00.02	GLAND COVER	2		
3	901-06.00.03	RUBBER SUPPORT	2		
4	GB5789 M10x1.25x70	BOLT, M10x1.25x70	8		ARMY GREEN
5	GB6187 M10x1.25	LOCK NUT	20		ARMY GREEN
6	GB5789 M10x1.25x50	BOLT, M10x1.25x50	4		ARMY GREEN
7	901-06.06.00	REAR SHOCK ABSORBER	2		
8	901-06.05.00	STABILIZER BAR	1		
9	901-06.07.00	BALL PIN (LH)	1		
10	901-06.03.00	REAR LEFT ARM (UPPER)	1		
11	901-06.04.00	REAR LEFT ARM (LOWER)	1		
12	GB5789 M10x1.25x100	BOLT, M10x1.25x100	4		ARMY GREEN
13	901-06.09.00	DUST CAP	8		
14	901-06.00.05	CENTER SPACER	4		
15	DAC3055W	BEARING, HUB	2		
16	GB893.1 55	CIRCLIP	2		
17	GB1152 M6	OIL CUP	4		
18	901-06.00.04	BUSH	8		
19	901-06.00.01	HOLDER, REAR WHEEL SHAFT	2		
20	901-04.00.19	REAR SUSPENSION PROTECTOR (LH)	1		
21	901-05.05.00	BUFFERING COLLAR	8		
22	901-05.00.03	CAP, BUFFERING COLLAR	16		
23	GB5789 M6x12	BOLT M6x12	4		ARMY GREEN
24	901-04.00.20	REAR SUSPENSION PROTECTOR (RH)	1		
25	901-06.02.00	REAR RIGHT ARM (LOWER)	1		
26	901-06.01.00	REAR RIGHT ARM (UPPER)	1		
27	901-06.08.00	BALL PIN (RH)	1		
<b>F18 后转向灯 REAR TURNING LIGHT</b>					



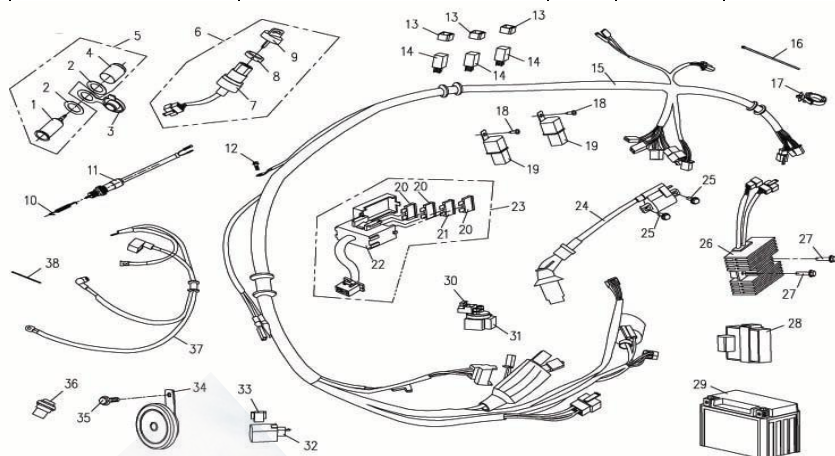
REF NO	PART CODE	DESCRIPTION (EN)	Q'TY	MSRP	REMARKS
1	901-16.04.11	COVER, REAR LEFT TURNING LIGHT	1		
2	GB15766.1 12V10W	BULB	2		
3	901-16.04.12	REFLECTOR, REAR LEFT TURNING LIGHT	1		
4	901-16.04.13	HOUSING, REAR LEFT TURNING LIGHT	2		
5	GB13806.2 ST2.9x13	TAPPING SCREW ST2.9x13	2		ZINC YELLOW
6	901-16.04.14	CLIP	2		
7	901-16.04.15	ARM	2		
8	GB6170 M10x1.25	NUT M10x1.25	2		ARMY GREEN
9	901-16.05.12	REFLECTOR, REAR RIGHT TURNING LIGHT	1		
10	901-16.05.11	COVER, REAR RIGHT TURNING LIGHT	1		
11	901-16.04.10	REAR LEFT TURNING LIGHT	1		
12	901-16.05.10	REAR RIGHT TURNING LIGHT	1		

### F19 尾灯 TAIL LIGHT



REF NO	PART CODE	DESCRIPTION (EN)	Q'TY	MSRP	REMARKS
1	GB13806.2 ST2.9x42	TAPPING SCREW ST2.9x42	2		
2	901-16.03.11	COVER, TAIL LIGHT	1		RED
3	GB15766.1 21/5W 12V	BULB	1		
4	GB13806.2 ST2.9x13	TAPPING SCREW ST2.9x13	2		ZINC YELLOW
5	901-16.03.12	REFLECTOR	1		
6	GB3452.1 6x1.8	O-RING	1		BLACK
7	901-16.03.13	HOUSING, TAIL LIGHT	1		
8	GB6177 M6	NUT M6	2		ARMY GREEN
9	901-16.03.10	TAIL LIGHT	1		

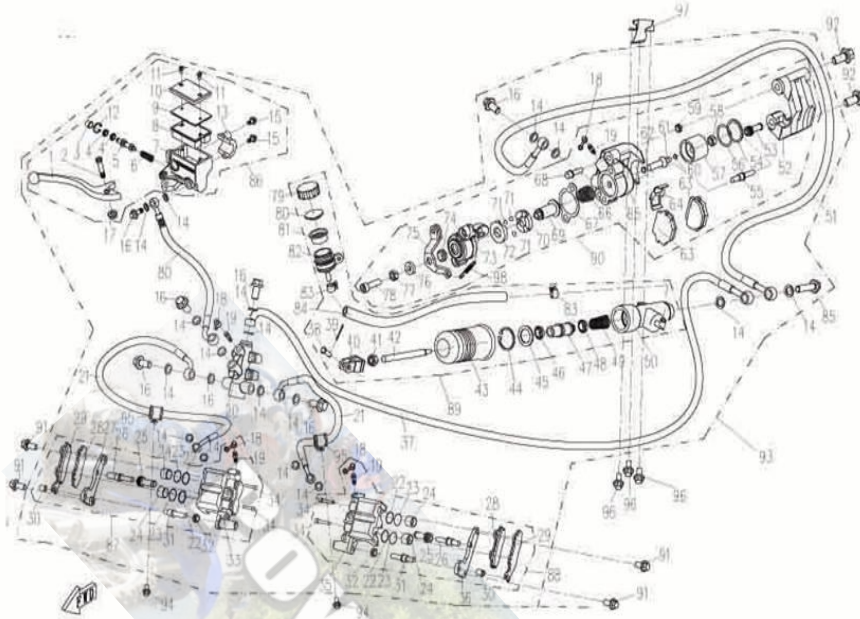
## F20 电气ELECTRIC SYSTEM



REF NO	PART CODE	DESCRIPTION (EN)	Q'TY	MSRP	REMARKS
1	901-15.07.01	FRONT SEAT, CIGARETTE LIGHTER	1		
2	901-15.07.02	GASKET	2		
3	901-15.00.01	DUST CAP, CIGARETTE LIGHTER	1		
4	901-15.07.03	REAR SEAT, CIGARETTE LIGHTER	1		
5	901-15.07.00	CIGARETTE LIGHTER	1		
6	901-01.01.10	IGNITION SWITCH	1		
7	901-01.01.01	BODY, IGNITION SWITCH	1		
8	901-01.01.02	TIGHTENING NUT, IGNITION SWITCH	1		
9	901-01.01.03	KEY	1		
10	GB6177 M6	NUT	1		
11	901-15.05.00	SWITCH, REAR BRAKE	1		
12	GB5789 M6x12	BOLT M6x12	1		ARMY GREEN
13	901-15.00.02	RUBBER RING, AUXILIARY RELAY	3		
14	901-15.03.50	AUXILIARY RELAY	3		
15	901-15.01.00	MAIN CABLE	1		CF500
16	901-15.00.04	TIE BAND	2		
17	901-15.00.05	CABLE CLIP	1		
18	GB9074.1 M6x16	SCREW UNIT	2		ARMY GREEN
19	803-15.14.00	SHUNT RELAY	2		
20	901-15.06.01	FUSE (10A)	3		
21	901-15.06.02	FUSE (15A)	1		
22	901-15.06.03	COVER, FUSE BOX	1		
23	901-15.06.00	FUSE BOX	1		
24	CF188-152000	IGNITION COIL	1		
25	GB5789 M6x20	BOLT M6x20	2		ARMY GREEN
26	CF188-151000	REGULATOR/RECTIFIER	1		
27	GB5789 M6x25	SCREW M6x25	2		ZINC YELLOW
28	CF188-153000	CDI UNIT	1		
29	12V 18Ah	BATTERY	1		
30	901-15.03.01	FUSE (20A)	1		
31	901-15.03.10	STARTER RELAY	1		
32	901-15.03.40	FLASHER	1		
33	CF250T-470003	CUSHION, FLASHER	1		
34	50215070000	HORN	1		
35	GB5789 M8x14	BOLT M8x14	1		ARMY GREEN
36	CF250T-342000	PARKING SWITCH	1		
37	901-15.02.00	STARTING TERMINAL CABLE COMP.	1		CF500

38	CF250T-470008	TIE BAND	6			
----	---------------	----------	---	--	--	--

## F21 液压制动总成 HYDRAULIC BRAKE



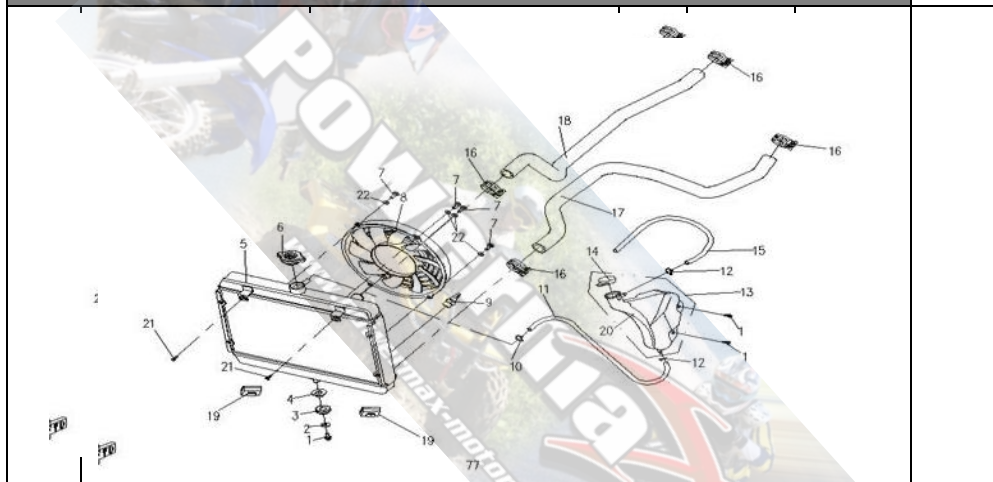
REF NO	PART CODE	DESCRIPTION (EN)	Q'TY	MSRP	REMARKS
1	901-08.06.01	FRONT BRAKE LEVER	1		
2	901-08.06.05	PIN BOLT	1		
3	901-08.06.06	DUST CAP, PISTON	1		
4	901-08.06.07	RUBBER CUP	1		
5	901-08.06.08	PISTON, BRAKE MASTER CYLINDER	2		
6	901-08.06.12	RETURN SPRING	1		
7	901-08.06.13	BODY, BRAKE MASTER CYLINDER	1		
8	901-08.06.15	WASHER, BRAKE FLUID RESERVOIR	1		
9	901-08.06.14	CUSHION, BRAKE FLUID RESERVOIR	1		
10	901-08.06.16	CAP, BRAKE FLUID RESERVOIR	1		
11	GB819 M5x12	SCREW M5x12	2		
12	901-08.06.18	CLIP	1		
13	901-08.06.02	FIXING BRACKET	1		
14	901-08.01.03	WASHER, BRAKE HOSE JOINT	18		
15	GB5789 M6x25	BOLT M6x25	2		
16	901-08.01.05	UNION BOLT	14		
17	GB6177 M6	NUT M6	1		
18	901-08.08.11B	RUBBER COLLAR, BLEED BOLT	3		
19	901-08.08.09B	BLEED BOLT	3		
20	901.08.01.10B	OIL CONTROL VALVE	1		
21	901-08.01.90B	BRAKE HOSE, FRONT BRAKE CALIPER	2		
22	901-08.08.05B	RECTANGLE RING	4		
23	901-08.08.04B	DUST CAP, PISTON	4		
24	901-08.08.06B	PISTON, FRONT CALIPER BODY	4		
25	901-08.08.16B	RUBBER COLLAR, SECONDARY SLIDING SHAFT	2		
26	901-08.08.17B	SECONDARY SLIDING SHAFT	2		
27	901-08.08.12B	HUB	2		
28	901-08.08.10B	INNER BRAKE PAD	2		
29	901-08.08.20B	OUTER BRAKE PAD	2		



30	901-08.08.13B	ROD, OUTER BRAKE PAD	2			
31	901-08.08.15B	MAIN SLIDING SHAFT	2			
32	901-08.08.14B	RUBBER COLLAR , MAIN SLIDING SHAFT	2			
33	901-08.08.08B	BRAKE CALIPER	1			
34	901-08.08.03B	ROD	4			
35	901-08.07.08B	BRAKE CALIPER	1		CF500	
36	901-08.07.12B	HUB	1			
37	901-08.01.30B	DUST CAP, PISTON	1			
38	901-08.04.16B	CONNECTING PIN	1			
39	901-08.04.17B	PIN	1			
40	901-08.04.15B	CONNECTING	1			
41	GB41 M8	NUT M6	1			
42	901-08.04.14B	ROD, PISTON	1			
43	901-08.04.13B	DUST CAP, PISTON	1			
44	901-08.04.18B	RETAINER	1			
45	901-08.04.19B	FLAT WASHER	1			
46	901-08.04.12B	RUBBER CUP, REAR MASTER CYLINDER	1			
47	901-08.04.21B	PISTON, BRAKE MASTER CYLINDER	1			
48	901-08.04.23B	RUBBER CUP, FRONT MASTER CYLINDER	1			
49	901-08.04.24B	RETURN SPRING	1			
50	901-08.04.22B	BODY, BRAKE MASTER CYLINDER	1			
51	901-08.01.20B	BRAKE HOSE, REAR BRAKE CALIPER	1			
52	901-08.05.22B	HUB	1			
53	901-08.05.32B	RUBBER COLLAR , SECONDARY SLIDING SHAFT	2			
54	901-08.05.18B	DUST CAP, PISTON	1			
55	901-08.05.33B	SECONDARY SLIDING SHAFT	1			
56	901-08.05.17B	RECTANGLE RING	1			
57	901-08.05.16B	PISTON, BRAKE MASTER CYLINDER	1			
58	GB6185-86	NUT	1			
59	901-08.05.26B	RUBBER COLLAR , MAIN SLIDING SHAFT	1			
60	901-08.05.19B	O-RING	1			
61	901-08.05.14B	ROD, PARKING PISTON	1			
62	901-08.05.15B	O-RING	1			
63	901-08.05.20B	INNER BRAKE PAD	2			
64	901-08.05.23B	BRAKE	1			
65	901-08.05.29B	CALIPER	1			
66	901-08.05.13B	RETURN SPRING	1			
67	901-08.05.12B	GASKET, PARKING SUPPORT	1			
68	901-08.05.25B	MAIN SLIDING SHAFT	1			
69	901-08.05.09B	PARK PISTON	1			
70	901-08.05.08B	EDGE CAM I	1			
71	901-08.05.07B	STEEL BALL	3			
72	901-08.05.06B	EDGE CAM II	1			
73	901-08.05.11B	PARK SUPPORT, CALIPER	1			
74	901-08.05.05B	DUST CAP, CALIPER PISTON	1			
75	901-08.05.04B	ROCKER	1		CF500	
76	901-08.05.03B	THICK WASHER	1			
77	901-08.05.02B	NUT M8	1		ARMY GREEN	
78	901-08.05.01B	ADJUSTING BOLT	1		ARMY GREEN	
79	901-08.04.01B	CAP, BRAKE FLUID RESERVOIR	1			
80	901-08.04.02B	CUSHION, BRAKE FLUID RESERVOIR	1		ARMY GREEN	
81	901-08.04.03B	WASHER, BRAKE FLUID RESERVOIR	2		ARMY GREEN	
82	901-08.04.04B	BRAKE FLUID RESERVOIR	2		ARMY GREEN	

83	901-08.04.05B	.	1			
84	901-08.04.06B	HOSE, BRAKE FLUID RESERVOIR	1			
85	901-08.01.06B	UNION BOLT	1		ARMY GREEN	
86	901-08.06.00	HAND BRAKE MASTER CYLINDER, FRONT BRAKE	1			
87	901-08.08.00B	FRONT RIGHT CALIPER	1			
88	901-08.07.00B	FRONT LEFT CALIPER	1			
89	901-08.04.00B	BRAKE MASTER CYLINDER	1			
90	901-08.05.00B	REAR BRAKE CALIPER	1			
91	GB5789 M8x20	BOLT M8x20	4			
92	GB5789 M10x1.25x30	BOLT M10x1.25x30	2			
93	901-08.01.00B	HYDRAULIC BRAKE	1			
94	GB5789 M6x8	BOLT M6x30	2			
95	901-08.01.04	CLIP	2			
96	GB5789 M6x30	BOLT M6x30	3			
97	901-03.00.01B	PROTECTION HUB, BRAKE MASTER CYLINDER	1			
98	901-08.05.31B	RETURN SPRING	1			

## F22 冷却系统 COOLING SYSTEM

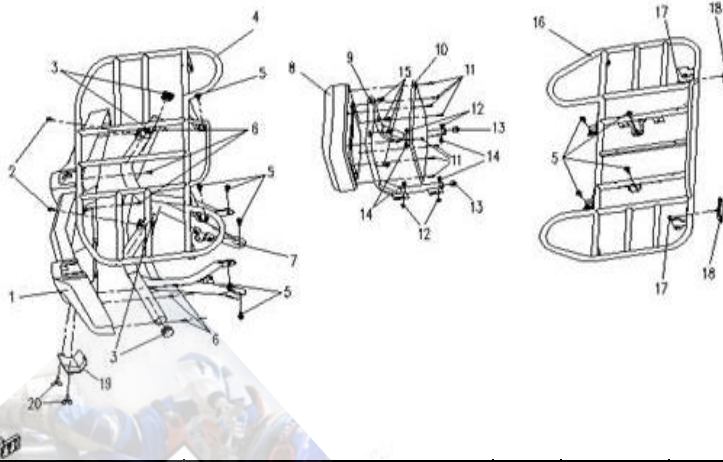


REF NO	PART CODE	DESCRIPTION (EN)	Q'TY	MSRP	REMARKS
1	GB5789 M6x12	BOLT M6x12	5		ARMY GREEN
2	GB2587 6	WASHER	1		ARMY GREEN
3	901-18.00.04	RUBBER COLLAR, RADIATOR	1		
4	901-18.00.10	STEEL COLLAR, RADIATOR	1		
5	901-18.01.00	RADIATOR	1		
6	901-18.03.00	CAP, RADIATOR	1		
7	GB818 M6x12	SCREW M6x12	4		ARMY GREEN
8	901-18.02.00	RADIATOR FAN	1		
9	CF250T-420500	THERMOSWITCH	1		
10	QC/T 621 A 10.5	CLAMP $\phi$ 10.5A	1		
11	901-18.00.04	WATER HOSE, RESERVOIR TANK	1		
12	QC/T 621 A8	CLAMP $\phi$ 8A	2		
13	901-18.04.00	RESERVOIR TANK	1		
14	901-18.04.01	RUBBER CAP, RESERVOIR TANK	1		
15	901-18.00.05	OVERFLOW PIPE, RESERVOIR TANK	1		
16	CF188-023500	CLIP, WATER PIPE	4		STAINLESS STEEL
17	901-18.00.02	WATER OUTLET HOSE, RADIATOR	1		
18	901-18.00.03	WATER INLET HOSE, RADIATOR	1		
19	519-00.10.03	RUBBER CUSHION, MIAN BRACKET	2		
20	901-18.04.02	RESERVOIR TANK	1		
21	GB5789 M6x25	SCREW M6x25	2		ZINC YELLOW

22	GB 97.1 6	WASHER	4	ZINC YELLOW	
<b>F23 车架 FRAME</b>					
REF NO	PART CODE	DESCRIPTION (EN)	Q'TY	MSRP	REMARKS
1	901-03.00.40	UPPER BRACKET , RADIATOR	1		
2	GB5789 M6x12	BOLT M6x12	6		ARMY GREEN
3	901-03.00.50	BRACKET, HEAD LIGHT	1		
4	GB5789 M8x14	BOLT M8x14	4		ARMY GREEN
5	GB/T13871 FB44x25x7	OIL SEAL	1		
6	901-03.00.03	BEARING RETAINER	1		镀ZINC WHITE
7	GB276 6203RS	BEARING	1		
8	GB/T13871 FB36x25x8	OIL SEAL	1		
9	901-03.01.00B	FRAME	1		CF500
10	901-03.91.00B	BRACKET, FRONT VENT GRILLE	1		
11	GB818 M6x12	CROSS SCREW M6x12	4		CF500
12	901-03.00.01	BRACKET, FRONT AXLE	1		
13	901-03.00.12	BRACKET, REAR LICENSE PLATE	1		
14	901-03.00.02	TOWING BRACKET	1		
15	GB70 M10x1.25x40	BOLT M10x1.25x40	2		ARMY GREEN
16	901-04.00.17	ENGINE SKID PLATE(FRONT)	1		
17	GB5789 M6x16	BOLT M6x16	6		CF500
18	901-04.00.16	ENGINE SKID PLATE(CENTER)	1		
19	901-04.00.15	ENGINE SKID PLATE(REAR)	1		
20	CF250T-340002	BOLT M6x14	2		
22	901-08.02.60B	ROCKER SHAFT, BRAKE	1		
23	901-08.02.10	PEDAL BRAKE	1		
24	GB95.1 14	WASHER	1		
25	GB894.1 14	RETAINER	1		
26	901-08.02.01	RETURN SPRING, PEDAL	1		
27	901-08.02.03	RETURN SPRING, BRAKE	1		
28	GB6187 M8	NUT M8	1		ARMY GREEN
29	901-03.73.00	UPPER BRACKET	1		
30	GB5789 M8X60	BOLT M8X60	1		ARMY GREEN
31	GB5789 M10X1.25X100	BOLT M10X1.25X100	1		ARMY GREEN
32	901-03.72.00	REAR BRACKET	1		
33	GB6187 M10X1.25	NUT M10X1.25	1		ARMY GREEN

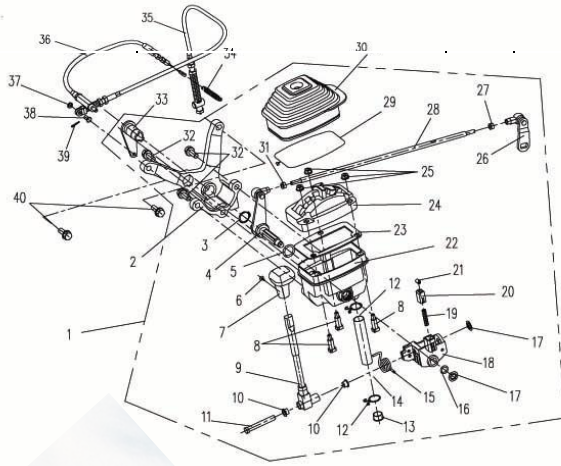
34	50203100002	RUBBER COLLAR, FRONT LICENSE PLATE BRACKET	2		
35	901-03.00.47	RUBBER CUSHION	2		
36	GB5789 M6X10	BOLT M6X10	2		ARMY GREEN
37	GB869-86	RIVET	2		ZINC WHITE
38	901-19.00.14	VIN PLATE	1		CF500

## F24 货架、保险杠 RACK、BUMPER



REF NO	PART CODE	DESCRIPTION (EN)	Q'TY	MSRP	REMARKS
1	901-04.00.01B	PROTECTOR, BUMPER	1		COLOR-INJECTED PARTS
1	901-04.00.01B	PROTECTOR, BUMPER	1		CAMO GREEN or CAMO YELLOW
2	GB5789 M6x12	BOLT M6x12	2		ARMY GREEN
3	901-04.00.28	CAP, BUMPER	4		
4	901-14.02.00	FRONT RACK	1		
5	GB5789 M8x16	BOLT M8x16	10		ARMY GREEN
6	GB845 ST4.8x16	TAPPING SCREW ST4.8x13	6		ARMY GREEN
7	901-23.01.00	BUMPER	1		
8	901-14.04.00A	BACKREST	1		
9	901-14.03.00A	BACKREST BRACKET	1		
10	901-14.04.05A	BACKREST COVER	1		
11	GB845 ST3.5x20	TAPPING SCREW ST3.5x20	8		ARMY GREEN
12	901-14.03.06A	WASHER	4		
13	901-14.03.05A	RUBBER PLUG	2		
14	GB5789 M6x20	BOLT M6x20	4		ARMY GREEN
15	GB5789 M6x12	BOLT M6x12	4		ARMY GREEN
16	901-14.01.00	REAR RACK	1		
17	GB6177 M5	NUT M5	2		
18	519-16.02.30	REAR REFLECTOR	2		
19	901-04.00.45B	COVER, BUMPER	1		
20	GB5789 M6x20	BOLT M6x20	4		ARMY GREEN

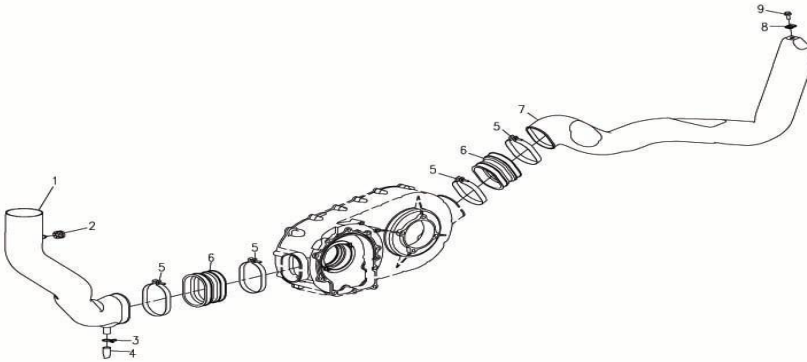
## F25 变速操纵机构 GEAR SHIFTING



REF NO	PART CODE	DESCRIPTION (EN)	Q'TY	MSRP	REMARKS
1	901-32.01.00	GEARSHIFT UNIT	1		
2	901-32.00.01	ALUMINIUM BRACKET	1		
3	GB894.1 19	CIRCLIP	1		
4	901-32.01.10	ROCKER SHAFT, GEARSHIFT	1		
5	GB3452.1 14x2.65	O-RING	1		
6	901-32.00.03	PLASTIC RIVET	1		
7	901-32.00.02	KNOB, GEARSHIFT ROD	1		
8	901-32.00.15	COACH BOLT	3		
9	901-32.01.30	GEARSHIFT ROD	1		
10	901-32.00.09	NYLON BUSH	2		
11	901-32.00.10	PIN SHAFT	1		
12	901-32.00.18	WIRE CLIP	2		
13	901-32.00.17	PLUG, BREATHER HOSE	1		
14	901-32.00.16	BREATHER HOSE	1		
15	901-32.00.08	TORSION SPRING	1		
16	GB3452.1 11x2.65	O-RING	1		
17	901-32.00.07	LOCKRING	2		
18	901-32.01.40	SEAT, GEARSHIFT ROD	1		
19	901-32.00.06	PRESSURE SPRING	1		
20	901-32.00.05	SLIDER	1		
21	901-32.00.04	DOWEL PIN	1		
22	901-32.01.50	HOUSING	1		
23	901-32.00.14	RUBBER GASKET	1		
24	901-32.00.13	COVER	1		
25	GB6177 M6	NUT M6	3		ZINC WHITE
26	901-32.01.60	SHIFT ARM	1		
27	GB6170 M6-Left	LEFT-HAND THREADED HEX NUT	1		ZINC WHITE
28	901-32.00.19	SELECT LEVER SHIFT ROD	1		
29	901-32.00.12	WIRE CLIP	1		
30	901-32.00.11	DUST BOOT	1		
31	GB6170-M6	HEX NUT	1		
32	GB5789 M8x20	BOLT M8x20	3		ZINC YELLOW
33	901-32.01.20	ROCKER ARM, PARKING	1		
34	901-08.02.02	SHIFT SPRING	1		
35	901-08.03.10	CABLE, PARKING	1		CF500
36	901-32.02.00	CABLE, PARKING LOCK	1		

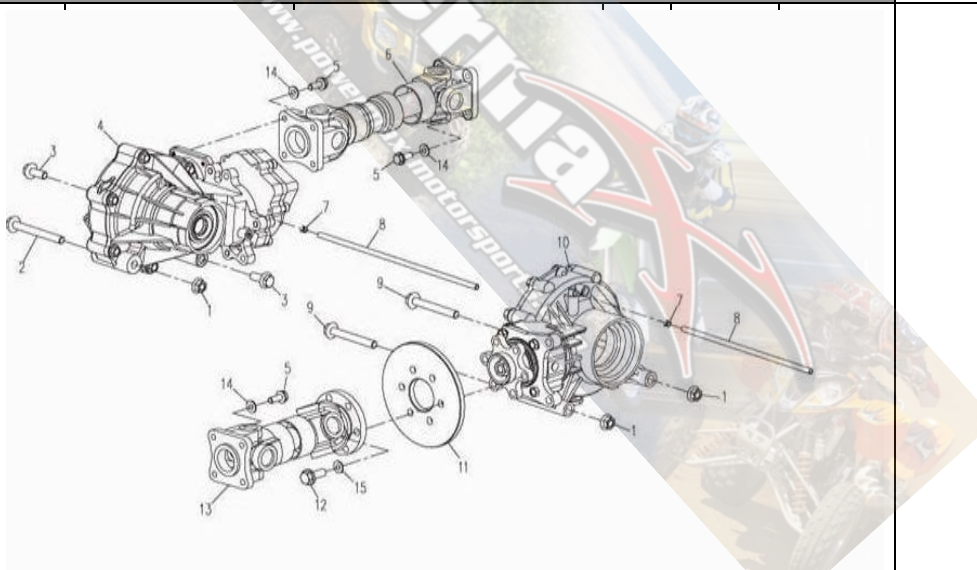
37	GB97.1 6	PLAIN WASHER	1		ZINC WHITE
38	GB882 6x20	PIN BOLT	1		ZINC WHITE
39	GB91 1.6x20	COTTER PIN	1		ZINC WHITE
40	GB5789 M8x25	BOLT M8x25	2		ARMY GREEN

### F26 CVT散热系统 CVT COOLING SYSTEM



REF NO	PART CODE	DESCRIPTION (EN)	Q'TY	MSRP	REMARKS
1	901-00.01.02	AIR INLET DUCT	1		
2	50203100001	RUBBER COLLAR, FRONT LICENSE PLATE BRACKET	1		
3	QC/T621 A16	CIRCLIP	1		
4	901-00.01.04	DRAIN PIPE	1		
5	901-00.01.05	CIRCLIP 78~101	4		
6	901-00.01.01	JOINT, AIR INLET DUCT	2		
7	901-00.01.03	AIR OUTLET DUCT	1		
8	803-04.08.00	NUT CLAMP M6	1		
9	GB5789 M6x16	BOLT M6x16	1		ARMY GREEN

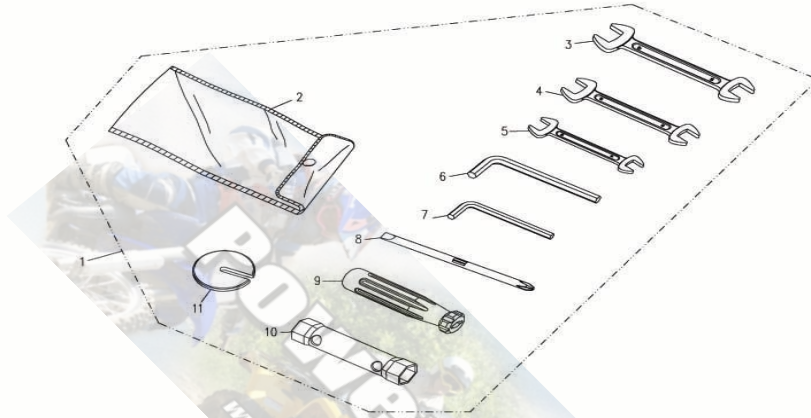
### F27 传动系统 TRANSMISSION SYSTEM



REF NO	PART CODE	DESCRIPTION (EN)	Q'TY	MSRP	REMARKS
1	GB6187 M10x1.25	NUT M10x1.25	3		ARMY GREEN
2	GB5789 M10x1.25x90	BOLT M10x1.25x90	1		ARMY GREEN
3	GB5789 M10x1.25x25	BOLT M10x1.25x25	2		ARMY GREEN

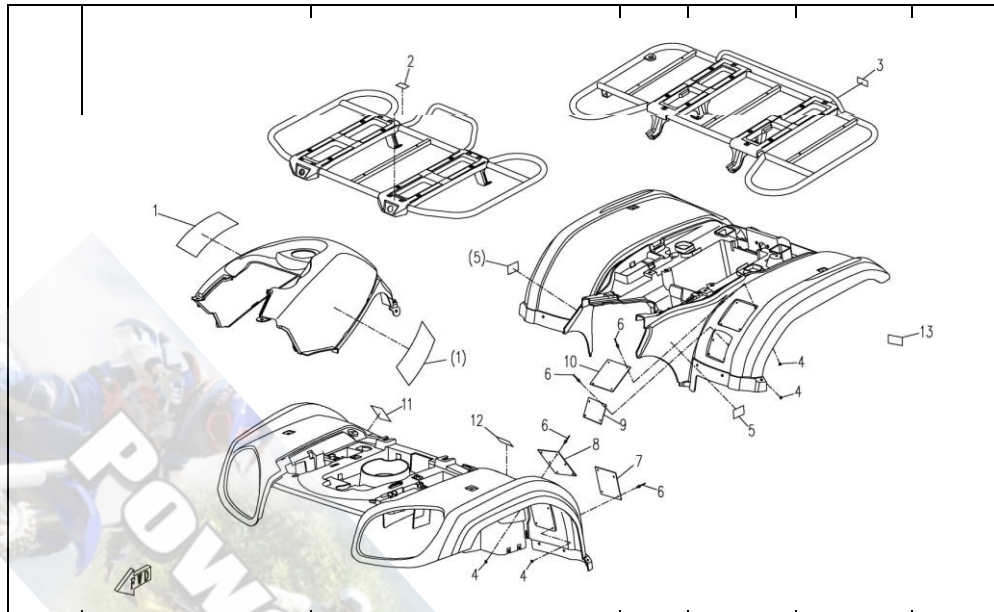
4	CF188-310000	FRONT AXLE	1		
5	CF188-170100	BOLT M8x1x22	12		
6	901-29.01.00	FRONT DRIVE SHAFT	1		
7	QC/T621 A8	CIRCLIP $\Phi$ 8	2		
8	901-31.00.01	BREATHER HOSE,FRONT AXLE	1		
9	GB5789 M10x1.25x110	BOLT M10x1.25x110	2		ARMY GREEN
10	CF188-330000	REAR AXLE	1		
11	901-08.02.01	REAR BRAKE DISC	1		
12	CF188-180100	BOLT M10x1.25x30	6		
13	901-30.01.00	REAR DRIVE SHAFT	1		CF500
14	GB97.1 8	WASHER	12		
15	901-30.00.02	WASHER $\Phi$ 10	6		

**F28 随车工具 TOOLS COMP.**



REF NO	PART CODE	DESCRIPTION (EN)	Q'TY	MSRP	REMARKS
1	901-20.30.00	TOOLS	1		
2	519-20.30.09	TOOLS KIT	1		
3	519-20.30.08	DOUBLE-END SPANNER14x17	1		
4	519-20.30.07	DOUBLE-END SPANNER 10x12	1		
5	519-20.30.06	DOUBLE-END SPANNER 8x10	1		
6	519-20.30.05	INNER HEX SPANNER(S=6)	1		
7	519-20.30.11	INNER HEX SPANNER(S=5)	1		
8	519-20.30.03	DOUBLE-END SCREWDRIVER	1		
9	519-20.30.02	DOUBLE-END SCREWDRIVER HANDLE	1		
10	901-20.30.01	SOCKET WRENCH 18x16	1		
11	901-20.30.02	SHIFTING WRENCH	1	0.00	

**F29 贴花、铭牌 STICKERS & LOGO**



REF NO	PART CODE	DESCRIPTION (EN)	Q'TY	MSRP	REMARKS
1	901-19.00.08	FUEL TANK STRIPE(LH&RH)	1		CF500
2	901-19.00.10	WARNING, FRONT RACK CAPACITY	1		
3	901-19.00.11	WARNING, REAR RACK CAPACITY	1		
4	GB97.1 4	WASHER	18		鍍ZINC YELLOW
5	901-19.00.07	STICKERS, SIDE PANEL (LH&RH)	1		
6	GB12618 4x8	RIVET 4X8	18		鍍ZINC WHITE
7	901-19.00.01	WARNING, DRIVER'S AGE LIMIT	1		
8	901-19.00.05	WARNING LABEL( US)	1		CF500 (US-1)
	901-19.00.06	WARNING LABEL(EURO)	1		CF500 (EURO-1)
9	901-19.00.04	WARNING, PASSENGER	1		CF500
10	901-19.00.03	LABEL, TYRE PRESSURE AND LOAD	1		
11	901-19.00.02	WARNING LABEL, 4x4	1		
12	901-19.00.13	LABEL, GEARSHIFT	1		
13	901-19.00.12	LABEL, TOWING LOAD	1		